

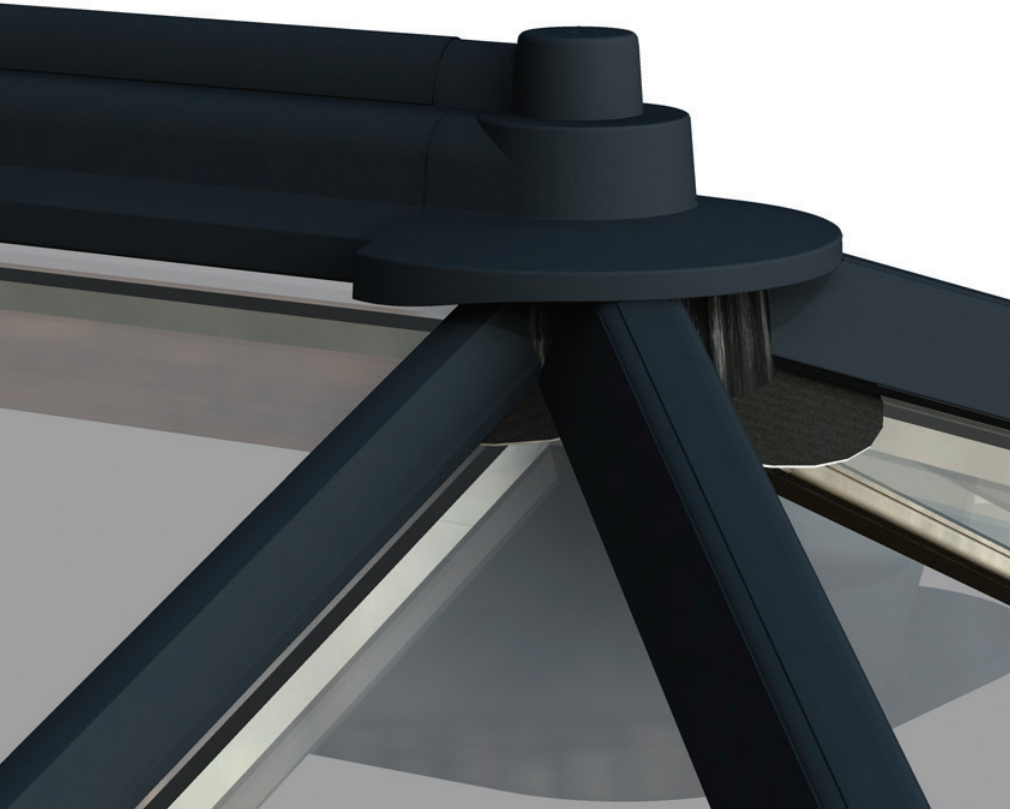


Classicroof<sup>TM</sup>  
By Ultraframe

V3 | January 2021

# ALUMINIUM ROOF TECHNOLOGY

Further enhancing the proven technology used in Ultraframe's Classic roof, the Ultraframe Classic Aluminium suite combines state-of-the-art ideas and design technologies with elegant, contemporary profiles to provide a strong, rigid yet lightweight system that can be configured into virtually any roof design.



## Base Offer

- Aluminium glazing bar top caps.
- Aluminium ridge body and aluminium low profile cresting.
- Aluminium cast ridge end, integral brush and weathering flashing (or downgrade to PVC radius end).

## Upgrade Options

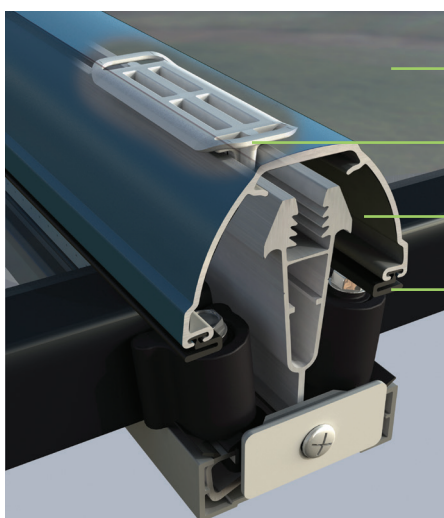
- Aluminium cresting.
- Aluminium muntin.\*
- Aluminium glazing end profile.\*
- Aluminium decorative Cornice with die cast aluminium corner covers in 135° and 90° angles (Straight jointers too).
- Aluminium vent available.

\* When Cornice is specified, these items are supplied in grey RAL 7016. This applies also to glazing bar end caps.

## Transom Top Caps

When selling the Ultraframe Classic Aluminium Roof, retailers have the choice between two different shaped transom top caps; a contemporary and a traditional option.

All Ultraframe top caps in the range utilise innovative Schlegel Q-lon gaskets which are inserted into the glazing bar top cap slots. Due to their unique design shape, when under compression, these gaskets create a double weatherseal, remaining operational and elastic even in the worst of weather conditions, without any loss in seal.



GLASS

TOP CAP CLIP

CHOICE OF TRANSOM TOP CAP STYLE

SCHLEGEL Q-LON GASKETS

Code: ATC/25

## Colour Options

The Ultraframe Classic aluminium roof is available painted in a wide range of RAL specified colours. Choose a traditional white colour or break the mould with a contemporary grey or black roof. Virtually any other colour you can imagine can be matched using the RAL colour system.

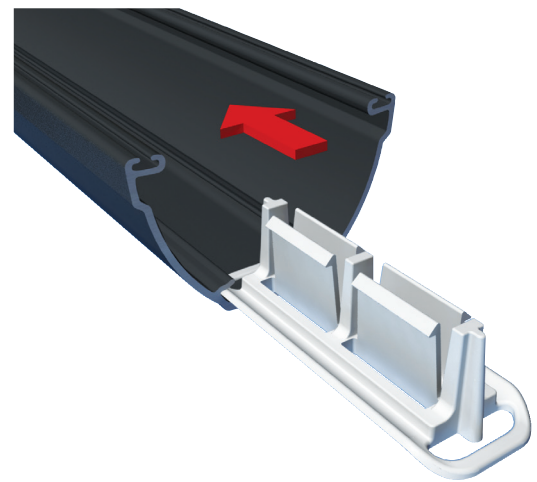


## Top Cap Clips

The Ultraframe Classic aluminium roof also takes a different approach to top cap retention.

To ensure that there is a constant thermal break and that no fixings puncture the primary weatherproofing, Classic roof uses injection moulded polycarbonate clip which is simply 'zipped' into the aluminium top cap whilst the roof is being built.

These clip security devices are then deployed at the top and bottom ends of the glazing bars and at 500mm centres and with no more than the heel of the hand - the top cap is finally secured.



## CORNICE

**A decorative cornice adds shape and style to any roofline, concealing gutters and rafter ends. Best of all there are 4 styles to choose from. Design the width of your internal pelmet to suit your new room from 300mm to 1200m. The added insulation in the pelmet will ensure your new orangery or extension is always warm, welcoming and cosy.**

Curved Cornice includes a die cast 135° and 90° corner cover as well as straight jointers, which will help fitters achieve a consistent fit and finish at critical junctions. 1, 2 & 3 tier Cornice ONLY 90° corners and straight jointers available.



[www.ultraframetrade.co.uk](http://www.ultraframetrade.co.uk)

**Job No.: 2803 12/20 ATG001**

It is Ultraframe's policy to continually seek to improve its products, processes and services, and we reserve the right to change specifications without prior notice. Ultraframe is a trading name of Ultraframe (UK) Limited.

**Ultra**frame  
Transforming light and space

