

# Ultrarroof380 Cornice Installation

The complete guide to installing Cornice onto an Ultrarroof380 (2 high decorative Cornice)

## PLEASE READ BEFORE FITTING

### CORNICE PRE INSTALLATION INFORMATION

**Recommended tools** - Long reach magnetic bit, 73mm hole saw. **Additional materials** - Timber baton (treated) 49mm x 20mm and cut to length as required - only used when a gutter return and the host wall is required.

**FILM** - Peel back the protective film at each of the mitred corners, prior to fitting. Ensure all film is removed following installation. Failure to do so will damage the finish over time.

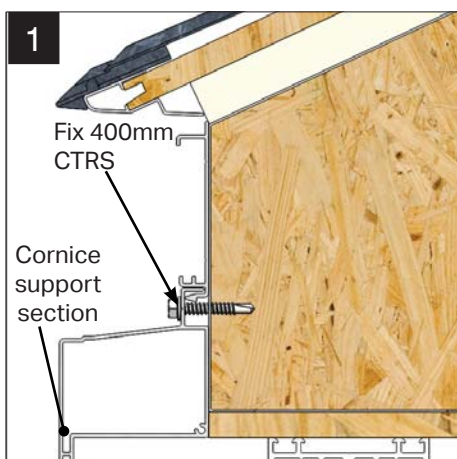
**SEALING** - After installation, do not seal around the down pipe hole (step 1). The gap will allow water to escape from cornice in the event of extreme weather conditions.

**LADDERS** - Take care when using ladders as they could damage the cornice gutter.

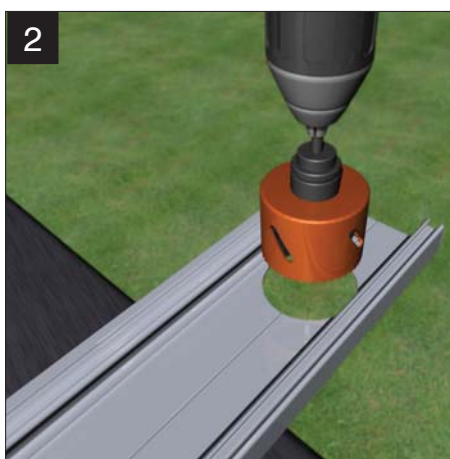
#### FITTERS TIPS

1. Start the installation of cornice when the tiles, glazing & cappings are in place but before the guttering has been installed.
2. Try temporarily fixing the lower cornice sections, position appropriately to obtain the best mitre fit. Remember the lower cornice section is the datum!
3. Do not force the cleats during assembly. Cleats are used to position the mitre joints only!

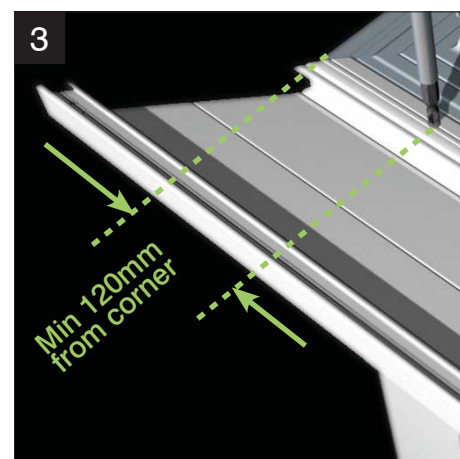
### CORNICE INSTALLATION ON ULTRARROOF380



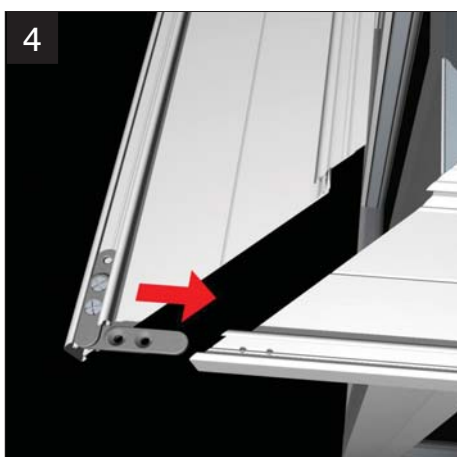
Fix the cornice support section flush to the box beam using RRR025 5.5 x 32mm Hex head drill screws, ensure the fixings are spaced 400mm centers, minimum 200mm from the corners.



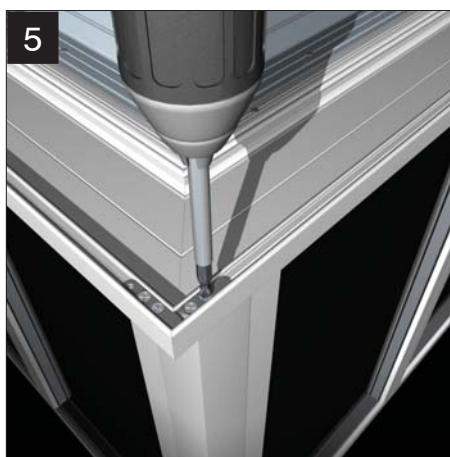
Decide the position of the gutter outlet by lining the extrusion 'V' groove up with the centre of the hole for the down pipe. Using a 73mm dia hole saw, cut the hole for the down pipe in the lower section.



Prior to fitting gutter offer up the lower cornice section then secure into support section using the fixings provided (CRN007). **Please note: Always start with the front facet!**

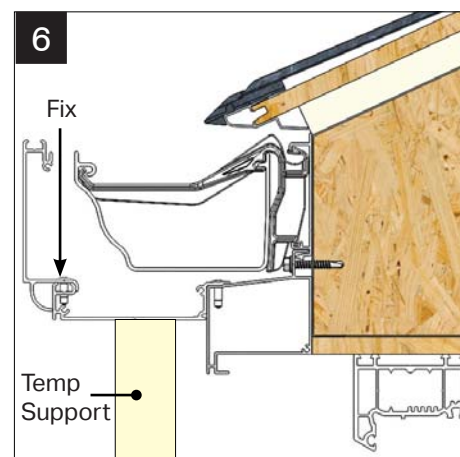


Fit the cleats (CRN001) to the desired side using the fixings provided (CRN006) as shown and assemble the remaining lower sections.



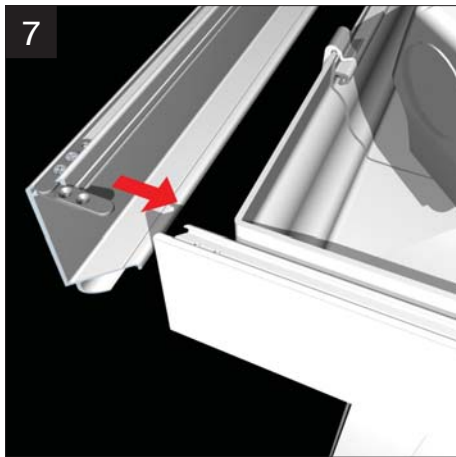
Secure each corner using the cleats (CRN001) and fixings provided (CRN006).

**The gutter should now be fitted (see main guide). Check integrity of all gutter joints before proceeding further.**

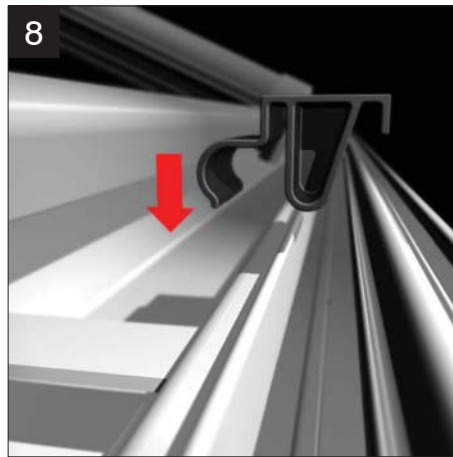


Offer up the middle cornice section into position, (it may be advisable to temporarily support the lower cornice section whilst fixing) secure using fixings provided (CRN007). (Long reach driver required).

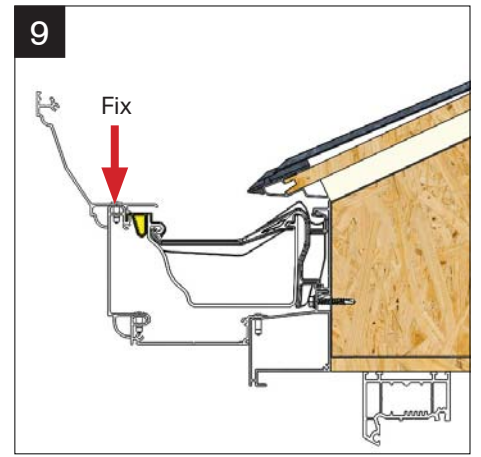
# CORNICE INSTALLATION ON ULTRAROOF380



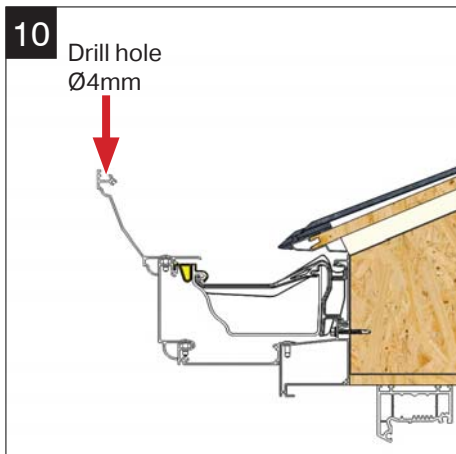
Fit cleats as shown in step 4. Offer up the next middle cornice section. Continue to support lower section as shown in step 6.



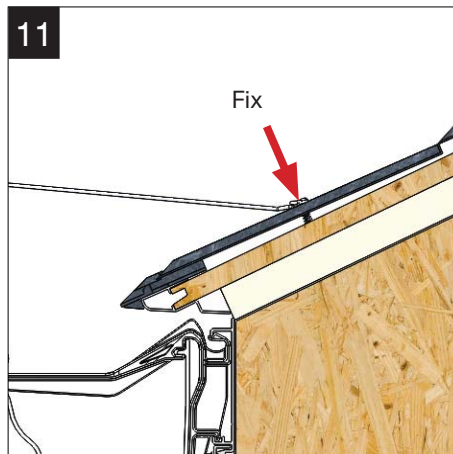
Once lower and middle sections have been fixed and secured, clip fit the support brackets (CRN002), adjacent to every gutter bracket.



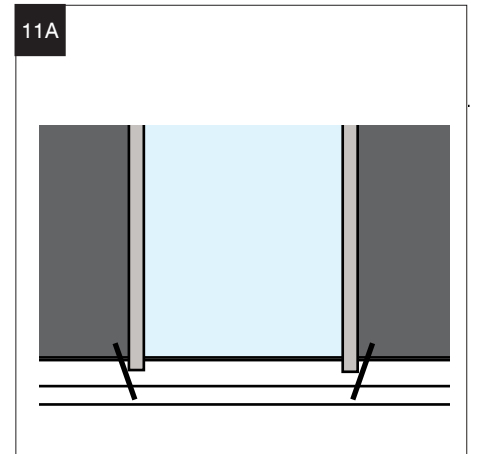
Temporarily support and fit the upper cornice section, using the fixings provided (CRN007). Secure the corners using the cleat (CRN001) and fixings (CRN006) as shown in step 4.



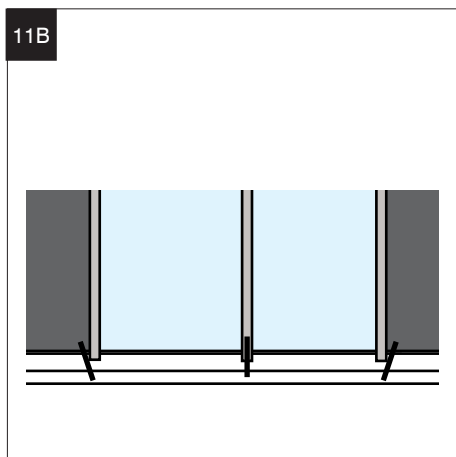
Drill  $\text{\O}4\text{mm}$  holes in the upper cornice section in line with each gutter bracket.



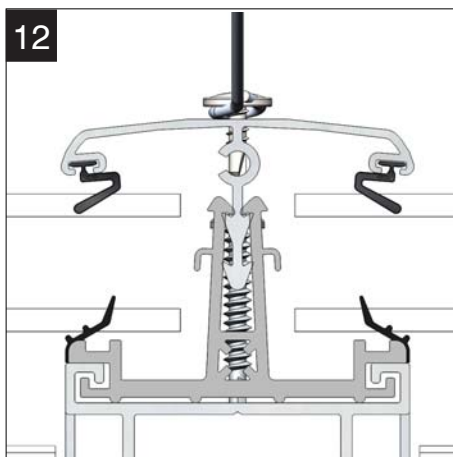
Secure the upper cornice section using the wire ties at each drilled hole. Hook the wire tie into the hole in the upper cornice section and screw fix into the roof using CRN010. Ensure the upper section remains parallel to the frames/roof line.



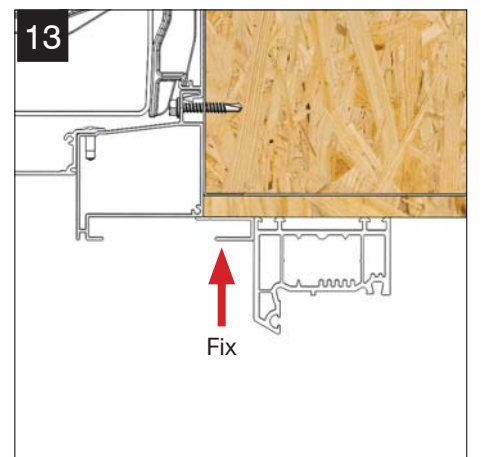
When roof contains a glazed panel, it is recommended to fix either side of the glazing panel into the roof.



When roof contains 2 or more glazed panels, it is required to fix through the center of the glazing bar.

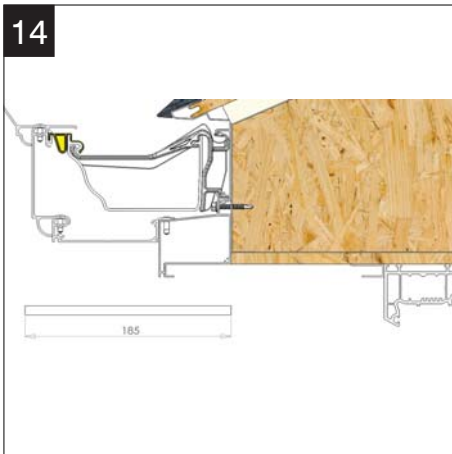


**USE CHAA006 (M4 X 13MM SELF DRILL SCREW) TO FIX THE TIE WIRE TO THE GLAZING BAR. FIX THROUGH THE CENTER OF THE GLAZING BAR ( $\pm 2\text{MM}$ ) TO AVOID DAMAGING THE GLAZED PANNELS.**

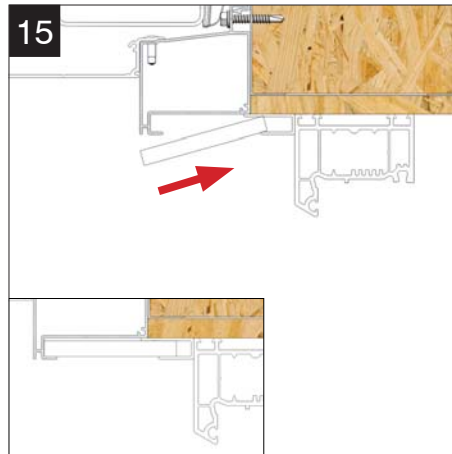


Fix the PVCu soffit channel into the box beam up against the head of the window frame.

# CORNICE INSTALLATION ON ULTRAROOF380

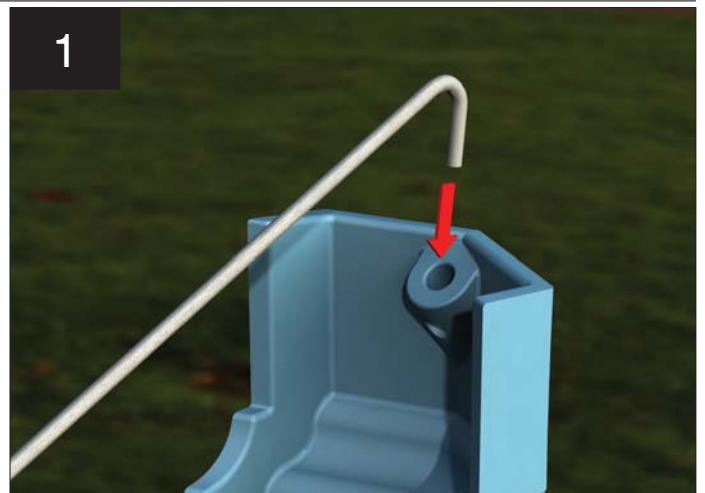
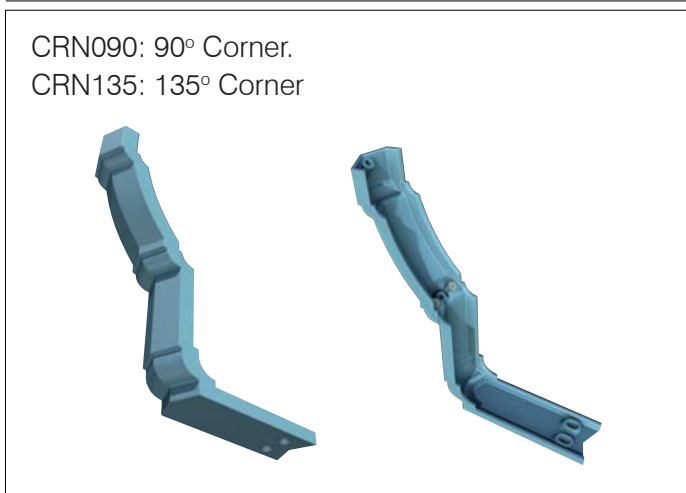


**EXTENDED SOFFIT ONLY:** In an extended soffit situation, cut the soffit board 185mm in width in order to fit into the soffit channel and support section.



To fit the soffit board, angle the board fully into the soffit channel, once in the soffit channel pull back to slot into the support section.

## CORNICE CORNER JOINTER



Prior to fitting the corner, insert the wire tie CRN012, into the corner as indicated.



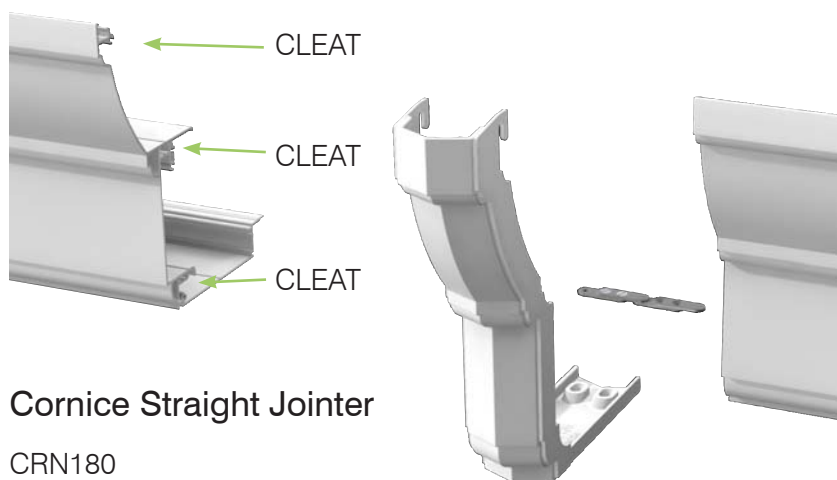
Whilst ensuring that the corner remains located in position, screw fix using self drilling screws CRN007.



Finally secure the corner by screw fixing the wire tie to the hip cap using self drilling screw CRN010.

# CORNICE INSTALLATION ON ULTRAROOF380

## CORNICE STRAIGHT JOINTER

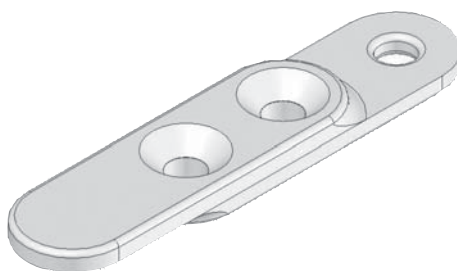


Cornice Straight Jointer

CRN180

Cleat

CRN001



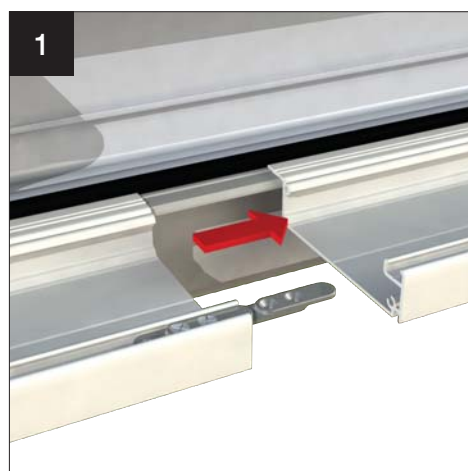
Cleat Fixing Screw

CRN006 (2 per jointer)

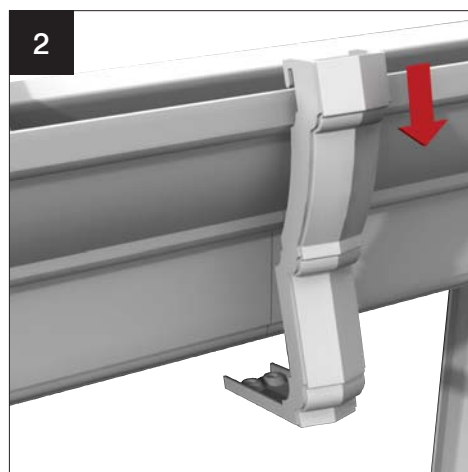


Fixing Screw

CRN007 (2 per jointer)



1. Attach the cleat CRN001 using 2 x CRN006 provided, on each side of the joint. Repeat for each of the Cornice 'layers'.



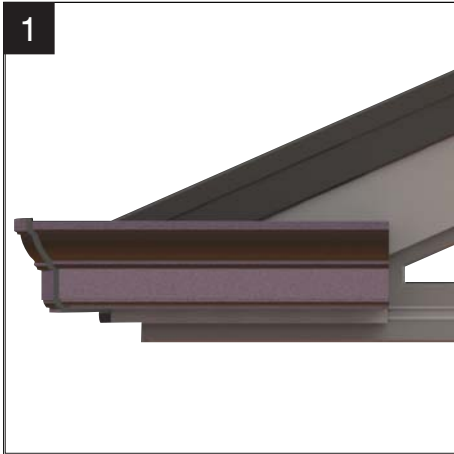
2. Offer up the CRN180 straight jointer, hook over the front lip of the cornice.



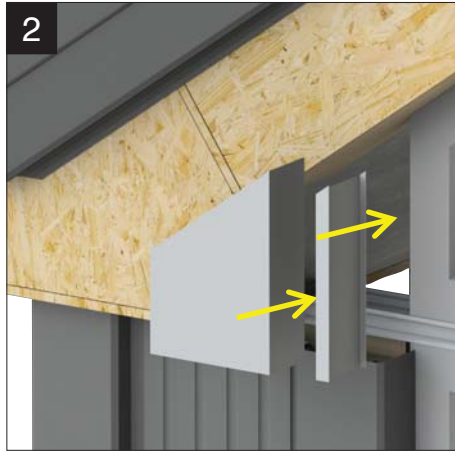
3. Whilst ensuring that the corner remains located in position, screw fix using self drilling screws CRN007.

Please note that it is not compulsory to fit the jointers provided. If due care has been taken with the installation of the cornice. If on the other hand the 'look' of the cast jointer is preferred follow the instructions above for each relevant jointer. Some companies MAY have ordered a 'dummy' joint at 'mid-run', if so just follow steps 2 + 3. The die cast straight jointer can also be configured on site to be used at host wall position.

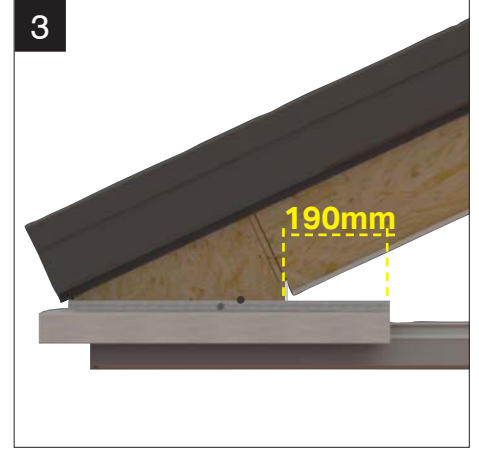
# CORNICE INSTALLATION ON ULTRAROOF380



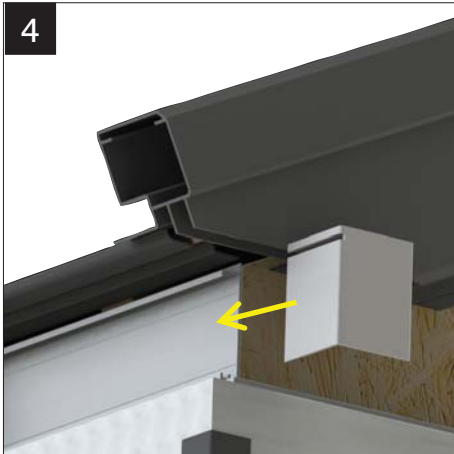
**1**  
**Cornice Gable return** - Used when a cornice assembly returns around the front of the gable end.



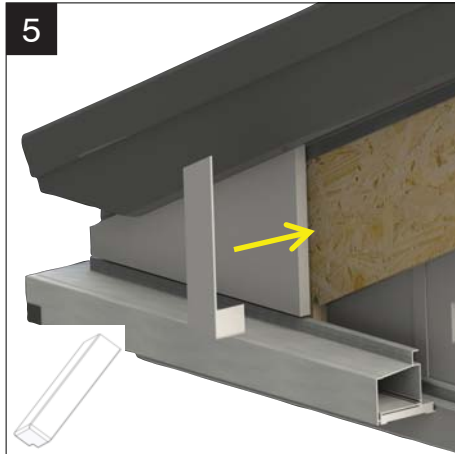
**2**  
Note: For roof pitches of 26° and above, a furring block and H section frame coupling are provided to create a gable frame infill as shown - these will need to be cut to suit on site. For pitches of below 26° see main guide.



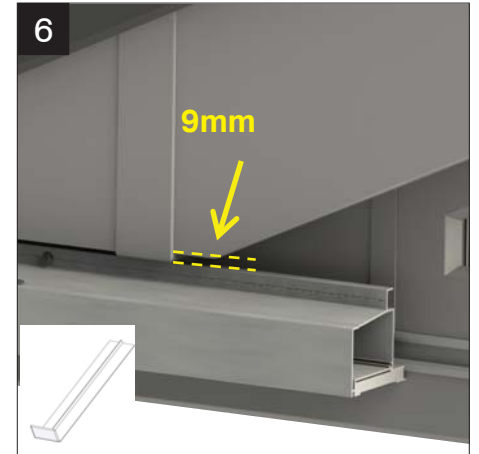
**3**  
Fix the cornice support section to the end of the box beam at the gable end. The section should extend 190mm past the inside edge of the box beam. Fix with 2 equally spaced RRR025 5.5 x 32mm Hex head drill screws. Pack as required to square profile around corner (90°).



**4**  
Cut down and slit the supplied NRFC090 fascia corner trim and fit at beam corner to protect exposed OSB face. (Shown fitted inset)



**5**  
Fit eaves fascia cover and scribe fascia corner before securing in place as shown. **For pitches above 26° in pitch** - a 90° fascia corner cover will be supplied and should be cut as shown and placed to cover the joint between the eaves fascia and barge board.



**6**  
**For pitches below 26° in pitch** - a 180° fascia cover will be supplied to cover the joint. Fit barge board, leaving a 9mm gap where shown to allow for installation of cover shelf shown in next step.



**7**  
Create and fit cover shelf from 9mm multi-board (not supplied) and point all open joints to weather.

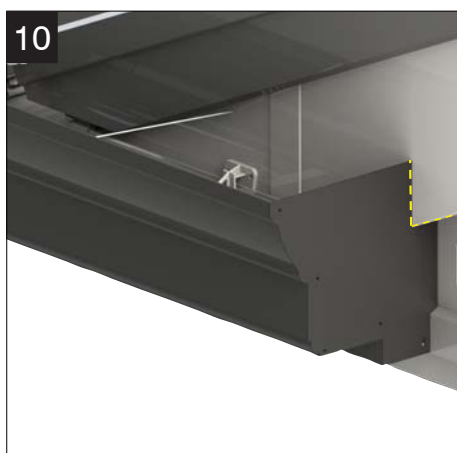


**8**  
Fit the lower Cornice section followed by the guttering. Use face-fix gutter bracket supplied to secure gutter at mid-span of returning gutter as shown.

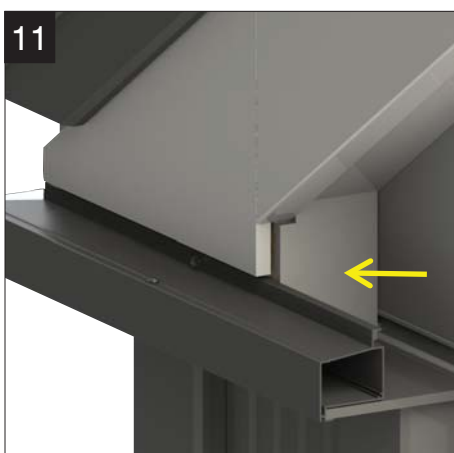


**9**  
Fit remaining cornice components and secure using two tie wires. Fix wires into the barge board face below the top line of the cornice (tie wires may require bending to suit). Fix using self drilling screws CRN010.

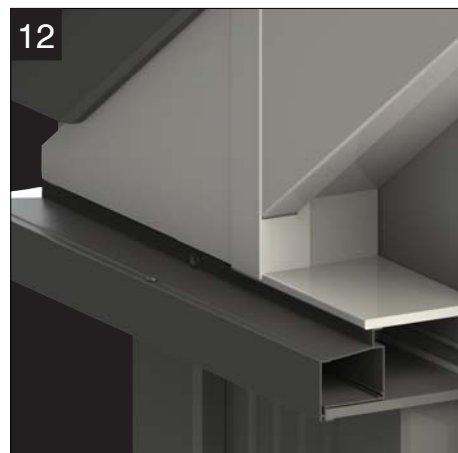
# CORNICE INSTALLATION ON ULTRAROOF380



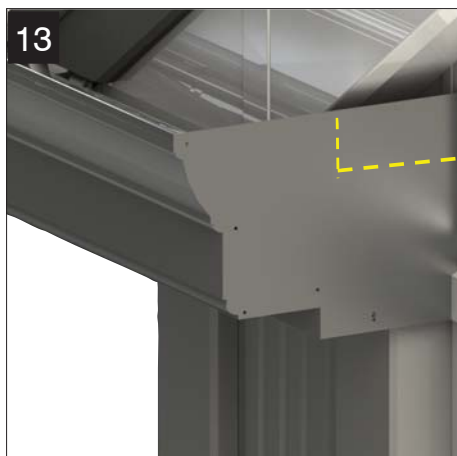
Finally, secure the standard end plate into position using the fixings provided, CRN008. Dependent on pitch, the end plate may require trimming to suit.



**Extended Soffit Detail** – When an extended soffit is used, a larger void is created between the cornice support and the frames. Scribe a piece of multi-board as shown to cover the internal beam face.



Cover the corner joints by modifying the PVCu fascia corner supplied and fit cover shelf as shown. Support shelf at frames using timber or similar.

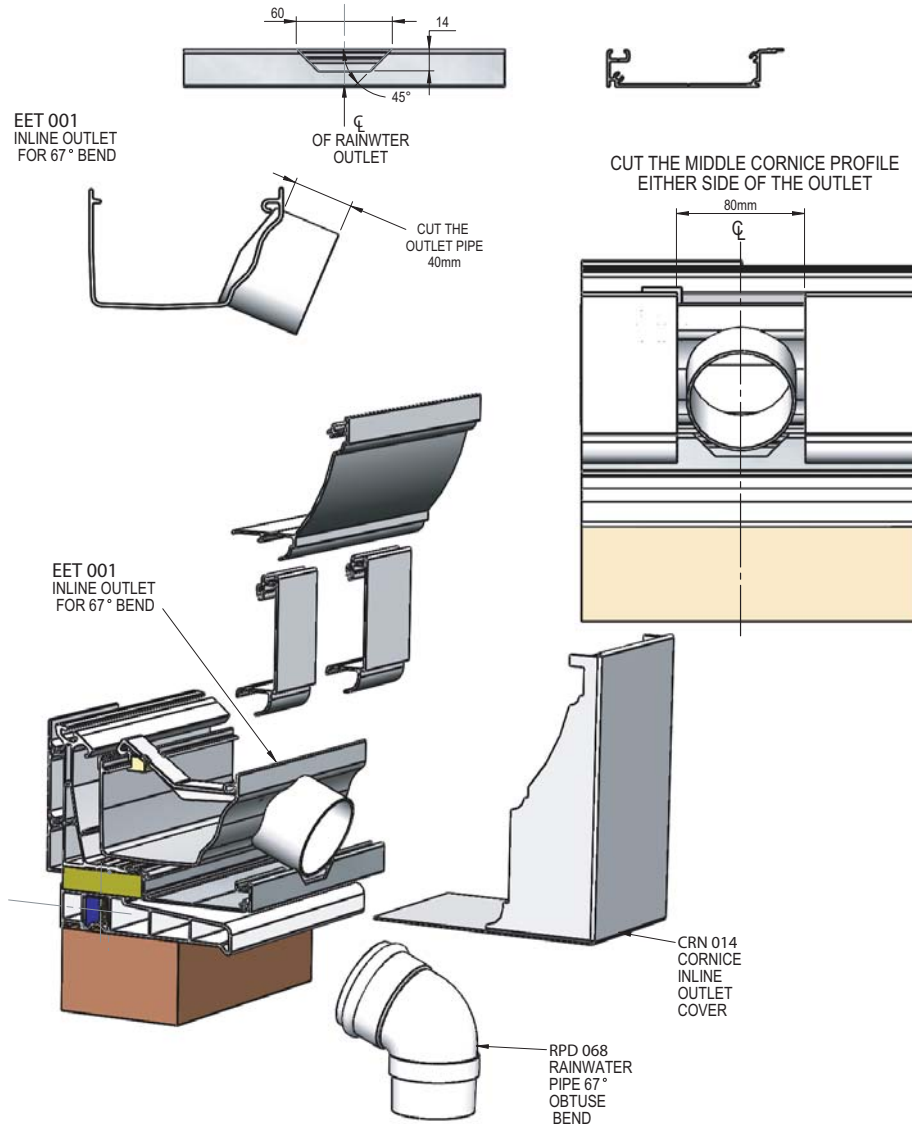


Finally, secure the extended end plate into position using the fixings provided, CRN008. Dependent on pitch, the end plate may require trimming to suit.

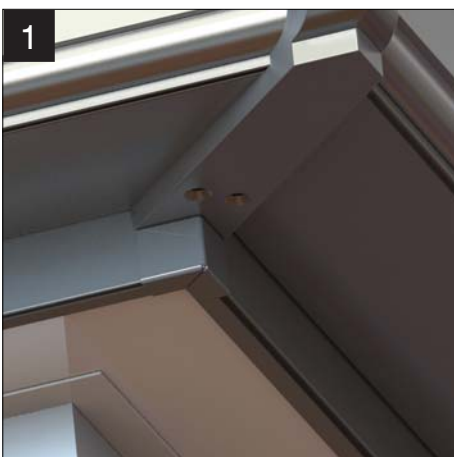
# CORNICE INSTALLATION ON ULTRAROOF380

## CORNICE INSTALLATION - INLINE OUTLET COVER

IT IS IMPORTANT TO CONSIDER THE OUTLET POSITION PRIOR TO FITTING THE CORNICE.  
WHEN THE OUTLET POSITION HAS BEEN DECIDED NOTCH THE CORNICE LOWER PROFILE AS SHOWN

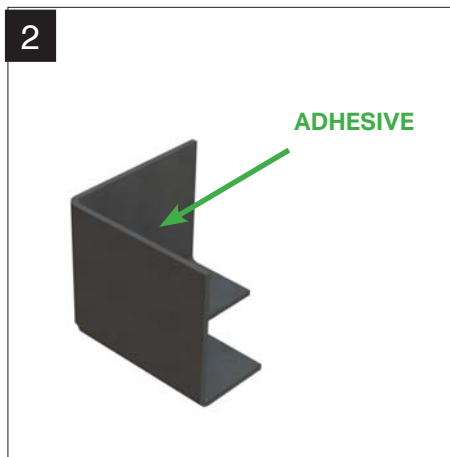


## CORNICE INSTALLATION ON ULTRAROOF380

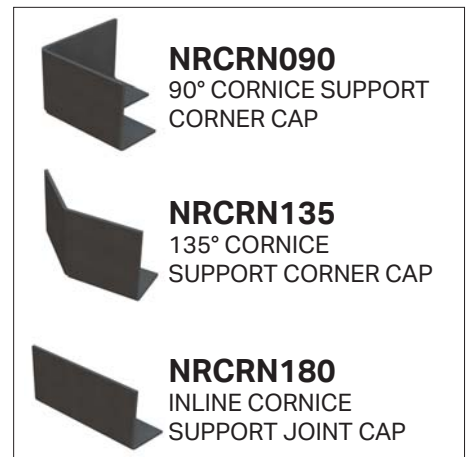


### Cornice support corner caps

- At each corner of the cornice, small caps should be placed over the joins of the support section.

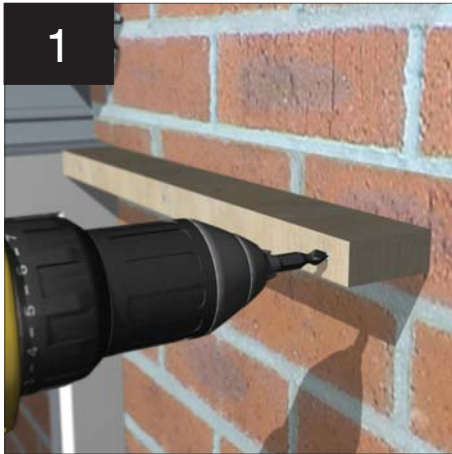


Each cap can be secured either by fixing or the use of silicone adhesive. (NRCRN090 SHOWN)

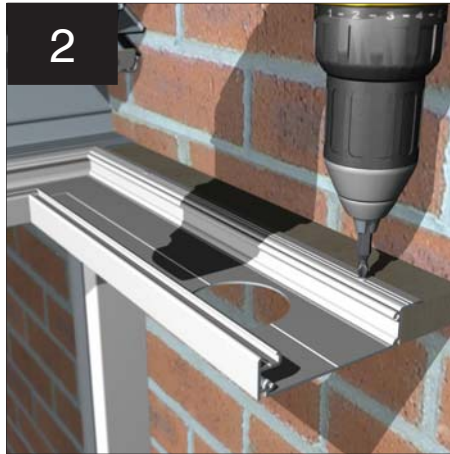


# CORNICE INSTALLATION ON ULTRAROOF380

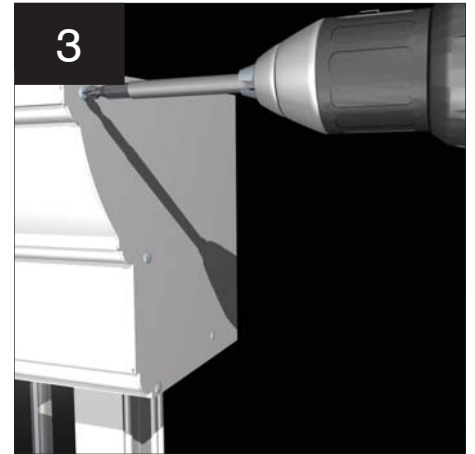
## INSTALLATION ADDITIONAL DETAILS



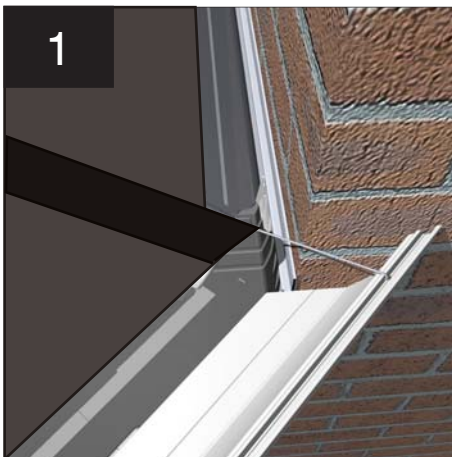
**1**  
**Gutter return detail** - If the gutter returns along the host wall, a timber section is required to support the lower section of the cornice. Ensure the treated timber baton (49mm x 20mm) is level, then fix into position.



**2**  
Secure lower section using fixings provided (CRN007).



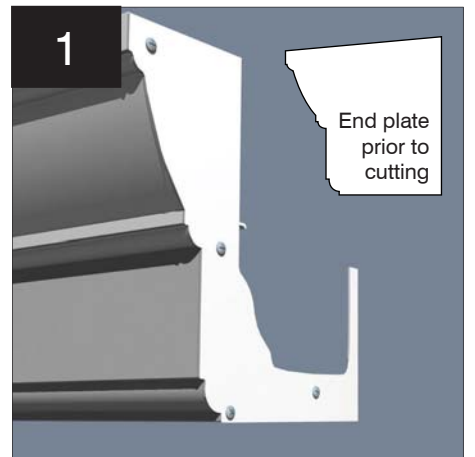
**3**  
Secure the end plate (CRN003) into position using the fixings provided (CRN008).



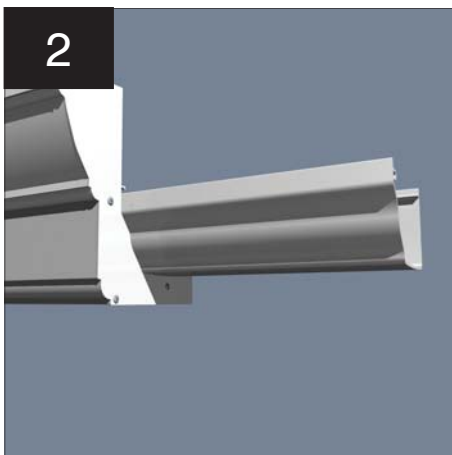
**1**  
**Cornice & victorian boxgutter detail** - For situations other than that shown, cornice should be prepped by you on site to suit the wall condition you find.



**2**  
Example shown.



**1**  
**Cornice & fly through gutter detail** - Used when the gutter extends beyond the cornice. Take the end plate (CRN003) and cut to the shape of the gutter that projects beyond the cornice.



**2**  
Typical finished detail.



**1**  
**Cornice stop end detail** - Used with lean-to roofs and gable roofs. Secure the end plate (NRCRN003) into position using the fixings provided (CRN008).

Job No.: 3604 08/17 V2 NRCRN020

It is Ultraframe's policy to continually seek to improve its products, processes and services, and we reserve the right to change specifications without prior notice. Ultraframe is a trading name of Ultraframe (UK) Limited.

**Ultraframe**  
Transforming light and space