



TECHNICAL, ORDER FORM & PRICE GUIDE

Ultrasky[®]
SKYLIGHT by Ultraframe

ULTRASKY FLAT SKYLIGHT

AUGUST 2018 | V1

Please use this document for guidance only. Always obtain a formal quotation for any specific project. A formal quotation from Ultraframe, your Ultraframe fabricator or stockist is the only accurate method of obtaining a price.



The Ultrasky Flat Skylight provides an element of style to extension and orangery roofs and floods natural light into the room below. Its distinctive sleek, frameless edge to edge glass gives a stunning contemporary look allows the largest possible amount of light into the room.

Sitting flush with the internal plasterboard, the Ultrasky Flat Skylight looks frameless from the inside, giving the room a bright open roof feel. The fully insulated frame with 'Warm Frame' technology combined with noise reducing glass means that Ultrasky Flat Skylight blocks out noise from the outside and is unrivalled in thermal efficiency. The Ultrasky Flat Skylight's simple pre-assembled design and unique click-fit installation process allows precision fit and is up to 50% faster than other flat roof lights, saving you time on site.

Price list effective 28th May 2018. All prices are quoted in pound sterling and exclude VAT. Every effort has been made to ensure the accuracy of the price guide, however the Maitlands computer system is the final arbiter on price.



WARMEST

Fully insulated core

- Fully insulated frame with Warm Frame technology
- Optional thermally efficient kerb available
- Overall U-value of 1.2



QUIETEST

Unbeatable noise reduction

- Noise reducing glass
- Combination of 4mm and 6mm stepped units delivers up to 34dB noise reduction



MINIMALIST

Distinctive frameless glass

- Edge to edge glass for a contemporary look
- Finline plasterboard trim for a neat internal finish
- Slim aluminium surround blends seamlessly with glass



EASIEST

Unique click-fit installation

- Precision click-fit installation process for quick fitting first time, every time
- No fiddly trims
- 50% faster to fit than other roof lights
- Welded kerb and skylight can be installed together saving time



CUSTOMISABLE

Unbeatable range of design options

- Bespoke sizes available
- Grey, black and white standard colours
- Available in any RAL or special colour



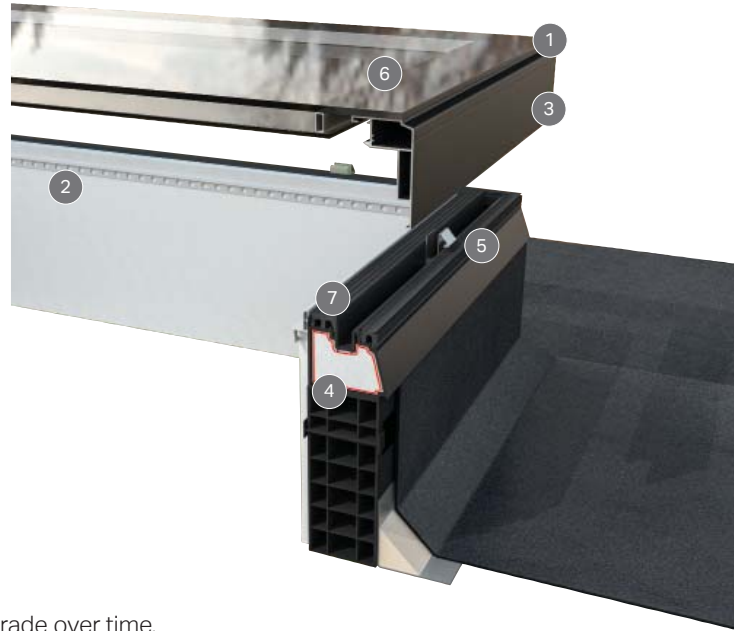
FASTEST

Quickest installation time

- Simple click-fit frame
- Waterproof kerb provides seal to skylight
- One step installation process for kerb and frame

Ultrasky Flat Skylight Features

- Distinctive Frameless Glass
- Fully insulated core
- Unique click-fit installation
- Noise reducing glass
- Overall U-value of 1.2

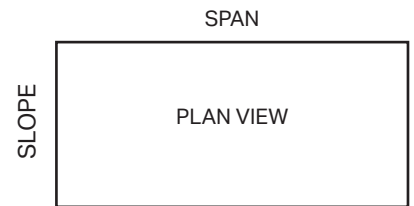


FEATURES

- 1 Edge to Edge glass for a contemporary look.
- 2 Fineline plasterboard trim for a neat internal finish.
- 3 Slim aluminium surround blends seamlessly with glass.
- 4 Fully insulated frame with Warm Frame technology.
- 5 Click-fit clips for quick fitting first time, every time.
- 6 Noise reducing glass reduces noise by up to 34dB.
- 7 Double seal gaskets with high compression, so seal won't degrade over time.

Flat Skylight Prices (£)

Standard colours: Black, RAL 9005 - 60% Gloss White, RAL 9003 - 80% Gloss
Grey, RAL 7016 - 30% Gloss



		SPAN (Internal sizes)																			
		600	700	800	900	1000	1100	1200	1300	1400	1500	1600	1700	1800	1900	2000	2100	2200	2300	2400	2500
SLOPE (Internal sizes)	600	554	570	585	606	628	663	697	732	767	802	837	871	906	941	976	1,010	1,045	1,080	1,147	1,183
	700		580	589	626	663	700	737	774	811	848	885	922	959	996	1,003	1,070	1,107	1,144	1,218	1,256
	800			595	636	678	719	760	802	843	884	925	966	1,008	1,050	1,091	1,132	1,173	1,214	1,256	1,297
	900				681	725	771	815	859	904	949	993	1,038	1,082	1,126	1,172	1,216	1,260	1,305	1,350	1,395
	1000					774	821	869	917	965	1,013	1,060	1,109	1,157	1,204	1,253	1,300	1,348	1,396	1,444	1,492
	1100						872	924	975	1,026	1,078	1,129	1,179	1,231	1,282	1,333	1,385	1,436	1,486	1,814	1,877
	1200							978	1,032	1,087	1,141	1,197	1,251	1,305	1,360	1,414	1,469	1,798	1,865	1,931	1,998
	1300								1,091	1,148	1,206	1,264	1,322	1,379	1,437	1,766	1,836	1,907			
	1400									1,210	1,270	1,332	1,392	1,454	1,790	1,866					

Bespoke RAL colours available at an extra £185.19 per skylight. Special colours POA.

Conservaglass Specification:

Outer Layer - 6mm Toughened Opti Neutral/ 16mm Argon filled cavity with warm edge spacer.
Inner Layer - 4mm or 6mm (size dependent) high performance, Low E, toughened.

Key:

- *26mm Glass
- 28mm Glass

Stock Sizes:

- 600mm x 600mm - Black - Standard Glass 6/16/4
- 1000mm x 1000mm - Black - Standard Glass 6/16/4
- 1000mm x 1500mm - Black - Standard Glass 6/16/4
- 1000mm x 2000mm - Black - Standard Glass 6/16/6
- 1200mm x 1200mm - Black - Standard Glass 6/16/4

*Noise reducing glass on 26mm only

IF YOU ARE INSTALLING MORE THAN ONE ROOF LIGHT THE MINIMUM DISTANCE BETWEEN THEM MUST BE 400MM

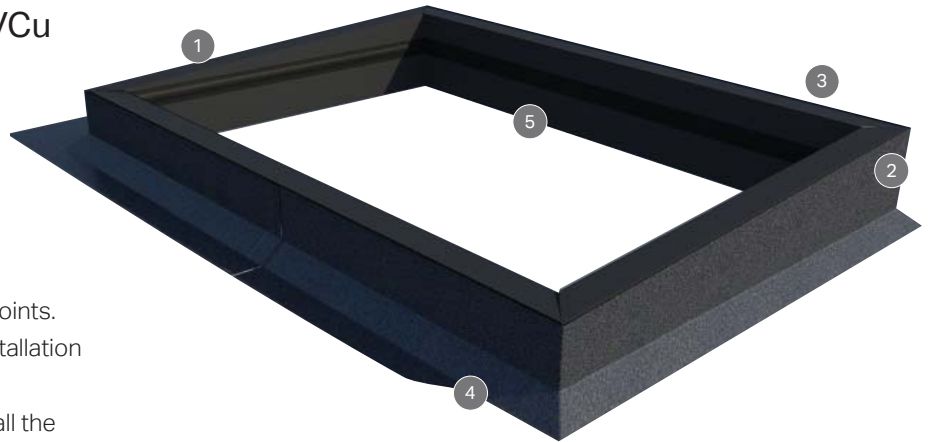
THE GLAZING IN THE ULTRASKY FLAT SKYLIGHT IS ONLY SUITABLE FOR INSTALLATIONS UP TO 5M HIGH

Set out dimensions are measured to the internal face (exclude plasterboard).

All fixings supplied apart from timber deck screws

Kerb Features

- Factory assembled for an easy fit
- Fully reinforced
- Insulating chambered black PVCu
- Watertight welded frame



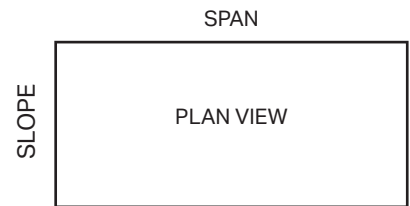
FEATURES

1. 4° pitch for optimum performance.
2. Weathering tape for double waterproofing on joints.
3. Self-aligning internal reinforcement for fast installation
4. Tilt fillet for optimum membrane run off.
5. Fully welded mitred frame means you can install the skylight and waterproof it later.

Please note kerbs can be delivered separately if required at an extra £50 per kerb.

Kerb Prices (£)

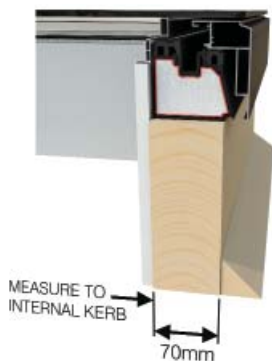
INTRODUCTORY OFFER - TAKE AN EXTRA 20% OFF THESE KERB PRICES - UNTIL 31ST OCTOBER 2018



		SPAN (Internal sizes)																			
		600	700	800	900	1000	1100	1200	1300	1400	1500	1600	1700	1800	1900	2000	2100	2200	2300	2400	2500
SLOPE (Internal sizes)	600	292	297	302	307	320	333	346	359	371	394	397	410	423	436	449	461	474	487	500	513
	700		300	304	316	329	342	355	368	381	393	406	419	432	445	458	471	483	496	509	522
	800			310	323	335	348	361	374	386	399	412	425	437	450	463	475	488	501	514	526
	900				335	347	360	373	386	398	411	424	436	449	462	475	487	500	513	526	538
	1000					359	372	385	397	410	423	436	448	461	474	487	499	512	525	538	550
	1100						384	397	409	422	435	448	460	473	486	499	511	524	537	549	562
	1200							409	421	434	447	460	472	485	498	510	523	536	549	561	574
	1300								433	446	459	471	484	497	510	522	535	548			
	1400									490	503	516	529	541	554	567					

Please note (if customer supplying own kerb)

The kerb width must be 70mm.



The minimum height of the kerb must be 150mm at its lowest point. The kerb must have a pitch of 4°.



All fixings supplied apart from timber deck screws

Edge to edge glazing

For maximum sightlines and the feel of an open roof.

Product Specification

SIZES

The Ultrasky Flat Skylight is designed around maximum uninterrupted sight lines and is available in a number of square or rectangular sizes ranging from 600mm x 600mm and going up to 2500mm in length (dependent on dimensions, see price list).

COLOUR OPTIONS

Externally available in Black RAL 9005 at 60% gloss, White RAL 9003 at 80% gloss and Grey RAL 7016 at 30% gloss for a great look on any build. Bespoke colours available on request.

GLAZING

The highly thermally efficient glazing will help reduce heat loss and noise pollution, whilst letting the maximum amount of light enter your room.

Glass outer layer – 6mm Toughened Opti Neutral / 16mm Argon filled cavity with warm edge spacer.

Glass inner layer – 4mm or 6mm (size of skylight dependent) high performance low E toughened.

Glass U-value 1.0.

Glass G-value 0.5.

Noise reducing capabilities up to 34dB.

KERB

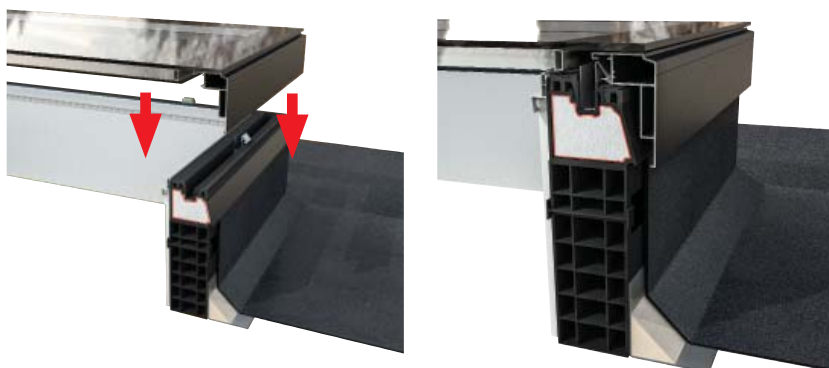
The optional kerb is factory assembled and delivered in one piece to minimise time on site. The kerb has a chambered construction for superior thermal performance and rigidity and contains self aligning internal reinforcement to attach the flat skylight for a faster fit. The kerb is welded to be watertight so you can fit the skylight and waterproof the roof at a later date.

It's optimal 4 degree pitch has been set for:

- Compliance with Building Regulations.
- Prevention of puddles forming, which can stain or mark the glazing.
- Ensuring maximum 'flex', or weight-bearing capability, is accounted for.

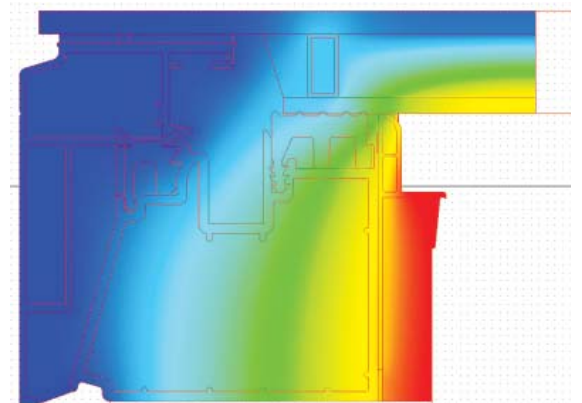
EASIEST INSTALLATION

Simple click-fit for fast fitting first time every time.



ULTIMATE THERMAL PERFORMANCE

Overall U-value 1.2 W/m2K.



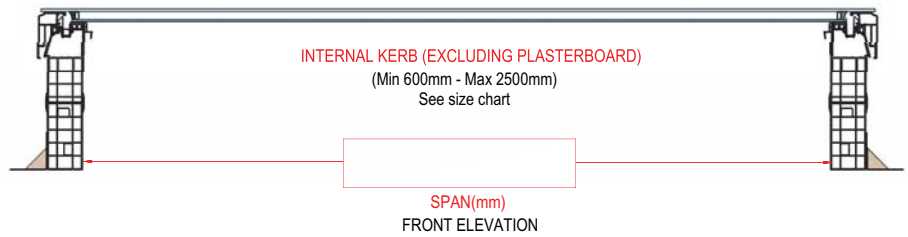
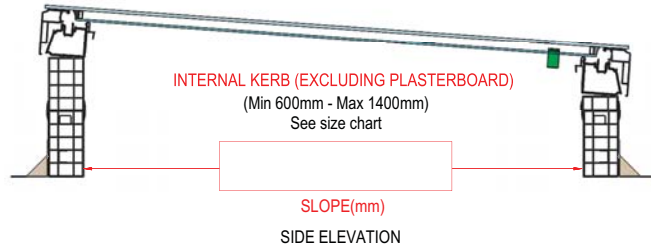
ORDER FORM

- ORDER**
 QUOTE
 New Build Existing flat roof

Fill in the dimensions in the boxes below.

- Please note all dimensions are to internal face of 70 mm kerb (exclude plasterboard).
- Measurement size of kerb height needs to be minimal 150mm (internal aperture).
- Slope / width is always the smallest size.

PLAN VIEW



ACCOUNT No.

Company Name

Order Number

JOB REFERENCE

Company Contact

Telephone No.

Email

Delivery Address

.....

.....

POSTCODE

Delivery Date Req

Quotation Ref

STOCK SIZES - BLACK ONLY	
600mm x 600mm – Clear Glass	<input type="checkbox"/>
1000mm x 1000mm – Clear Glass	<input type="checkbox"/>
1000mm x 1500mm – Clear Glass	<input type="checkbox"/>
1000mm x 2000mm – Clear Glass	<input type="checkbox"/>
1200mm x 1200mm – Clear Glass	<input type="checkbox"/>

ROOF SPECIFICATION

COLOUR: RAL9005 - 60% Black RAL9003 - 80% White RAL7016 - 30% Grey Bespoke RAL:

GLOSS %:

PITCH: 4°

CONSERVAGLASS OPTIONS: Standard, 26mm or 28mm (glass size dependent of skylight size)

OPTIONAL KERB: Yes No

CUSTOMER NOTE: Please carefully read the Ultraskey Flat Skylight installation guide before filling in order details.

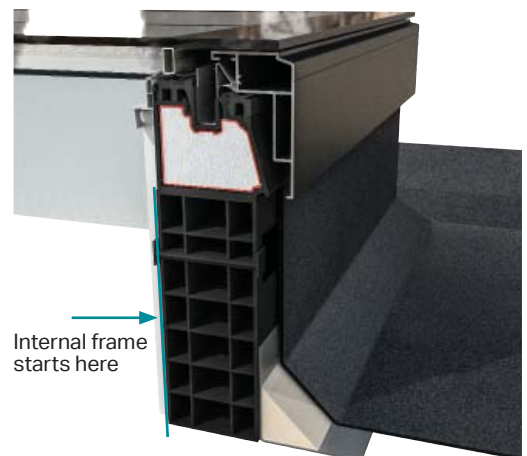
The minimum distance between flat skylights is 400mm

Glass Specification: The glass is either 26mm or 28mm depending on the size of the flat skylight. See price list for details.

Outer Layer - 6mm Toughened Opti Neutral/ 16mm Argon filled cavity with warm edge spacer

Inner Layer - 4mm or 6mm (size dependent) high performance, Low E, toughened.

Glass U-value: 1.0



HOW TO PLACE AN ORDER FOR ULTRASKY FLAT SKYLIGHT:

1. Sketch plan & elevations.
(If necessary, attach photos of existing property. Indicate on drawings if any part of project is existing).
2. Upon placement of your Ultraskey Flat Skylight order, no drawing confirmation will be sent so please ensure information provided is accurate.

DISCLAIMER

The builder/installer is responsible for providing / checking structural deck. Building Regulation applications MAY be needed depending upon application. In certain commercial applications, restrictions in the use of the product may apply. **Contact 01386 556055 for guidance.**

Job No.:3598

Please sign and return to
Info@maitlandonline.co.uk
 or Fax to 01386 554444

SIGNED

DATE



Ultraframe[®]

Job No.3851 Flat Skylight v1 08/2018 FRPG001

It is Ultraframe's policy to continually seek to improve its products, processes and services, and we reserve the right to change specifications without prior notice. Ultraframe is a trading name of Ultraframe (UK) Limited.