



Ultraframe
Transforming light and space



V3 | January 2018

ELECTRIC RADIANT
PANEL HEATER
INSTALLATION GUIDE



ELECTRIC RADIANT PANEL HEATER FOR SUPER-INSULATED COLUMNS

The electric radiant panel heater is specifically designed to give you comfortable, controllable warmth when and where it's needed. Radiant heat does not directly warm air but warms objects and we therefore recommend that furniture etc. be kept one metre clear from the front of the heater.



PLEASE READ THESE NOTES BEFORE INSTALLATION AND PASS TO THE HOMEOWNER FOR FUTURE REFERENCE.

IMPORTANT SAFETY ADVICE

1. WARNING: THIS HEATER MUST BE EARTHED.
2. This heater is for use as an indoor fixed appliance and is NOT FOR PORTABLE USE.
3. DO NOT use heater outdoors.
4. DO NOT operate switches etc. with wet hands.
5. Ensure that the heater is switched off when cleaning.
6. DO NOT use where flammable gases or liquids are stored.
7. This heater will be hot when in use. To avoid the possibility of burns do not let bare skin touch hot surfaces. Momentary contact should not cause any harm.
8. DO NOT allow small children to play with the heater.
9. To avoid over heating do not obstruct the air circulation around the heater. Never cover the heater or allow curtains or furniture to touch or cover any part of the casing. Heaters are not to be used for drying clothes.
10. The installation of this heater should be carried out by an electrician and be in strict accordance with current IEE Regulations.

Wiring

Regulations and all relevant Building Regulations.

11. Before connecting the heater, check that the supply voltage is the same as that marked on the heater.
12. If the flexible mains lead gets damaged DO NOT USE the heater.
13. There are no user serviceable parts inside the heater.

Please contact the Tech Support Team on **01200 452918** or email techsupport@ultraframe.co.uk

Wiring the plug

The electric radiant panel heater is supplied with a mains cord length which should be sufficient to allow connection to a convenient 5A fused spur, or socket outlet via a 13 amp plug (not supplied, see fitting detail below).

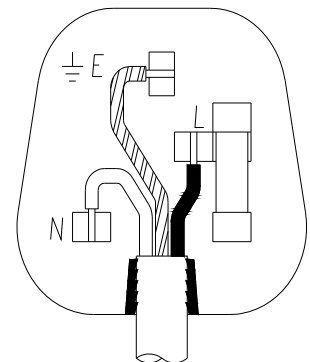
Either must be fitted with the correctly rated fuse which is 5A.

Prepare lead for connection to a 5A plug as follows:

E – Green & Yellow core, Length 41mm O/ All, Strip off insulation to expose 8mm of bare wire.

L – Brown core, Length 20mm O/ All, Strip off insulation to expose 8mm of bare wire.

N – Blue core, Length 35mm O/ All, Strip off insulation to expose 8mm of bare wire.



PRESS CORD BETWEEN GRIPS BEFORE CONNECTING CONDUCTORS TO TERMINALS.

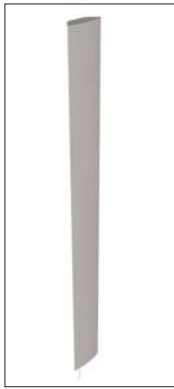
WARNING!

THIS APPLIANCE MUST BE EARTHED. THE HEATER MUST NOT BE FIXED IMMEDIATELY BELOW A SOCKET OUTLET.

COMPONENTS LIST



Security cable



Heater



Corner bracket



50mm screw

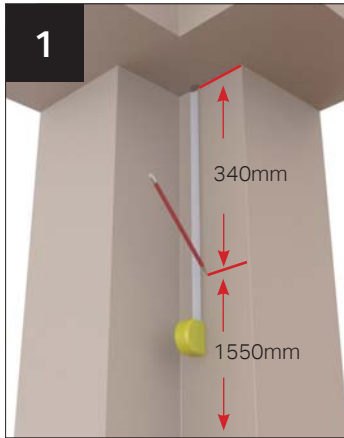
Radiant panel heaters fit inside large corner super-insulated columns and small/large abutments.

Select the correct place near an electrical supply, ensuring that the warmed air will be able to circulate freely in the room/area being heated.

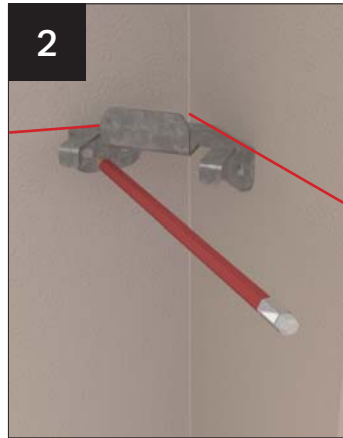
Radiant panel heaters are primarily designed to be mounted vertically, however due to their unique design, may also be mounted horizontally.

The first decision when installing is orientation. In the vertical and horizontal mounting, the switch must always be at the bottom.

INSTALL YOUR NEW HEATER (Vertical, large corner column illustrated)



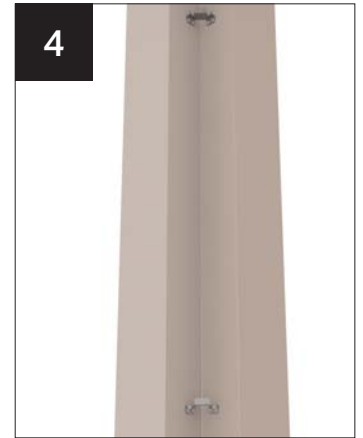
Mark the heater mounting centres (1550mm) in the required place – re-check the heater mounting centres. The radiator itself is 1900mm long – with 2100mm high frames, mark down 340mm from the ceiling or eaves.



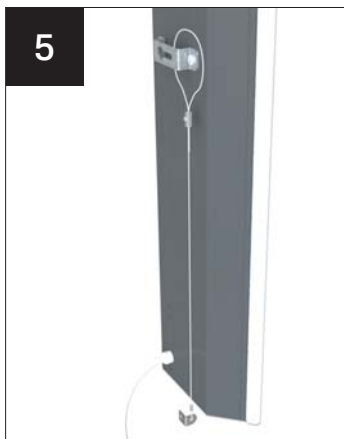
Use the mounting brackets as a template to determine the hole centres.



When you are happy with the positions, drill the wall. **N.B. If drilling into one of the super-insulated columns, the screws provided will be ok. If drilling into the host wall on an abutment situation, additional anchors (not supplied) will be needed.**



Fix the brackets using the 4 holes provided.



Attach security cable to back of heater.



When both wall brackets are fixed you can now lift the heater onto the brackets.



Attach the security cable to the wall, ensuring it is taut and the radiator cannot be lifted clear of the brackets (security device).



When the heater is securely fitted to the wall and connected to a suitable power supply point, power can then be switched on. **N.B. If using with a super-insulated column 7 day programmer, now move to this stage and see separate guide provided with the timer/programmer.**

OPERATING

If you have NOT ordered a super-insulated column 7 day programmer to work with the electric radiant panel heater, turn on the switch at the end of the radiator. The switch should illuminate to confirm that power is now available to the heater. If the switch does not illuminate when operated, first ensure that the wall connection is switched on. If that does not solve the problem, then we recommend that you consult your electrician.

Manual control (when no programmer has been ordered)

Near to the switch referred to above, there is an LED which lights up red to indicate that the heater is warming up. The panel surface temperature is factory preset. Please note, that in manual control, your heater will not automatically control room temperature. If the LED shows green, and the heater does not warm up, it means that it may need to be set to operate in manual mode by following this procedure:

A: If the panel is on, switch it off.

B: Switch it on for about three seconds then switch it off again.

Do this 5 times in succession, and your heater should be back in manual control.

In manual operating mode the heater can be switched on and off by using the power switch on the heater, or via the supply point. Should you in future require automatic room temperature and/or time control, then a LHC001/LHC005 control may be purchased separately. Speak to your Loggia retailer about this. Full instructions would be provided to enable the heater to be connected wirelessly.

Wireless room thermostat timer programmer (optional purchase)

For wireless operation refer to the instructions provided with the LHC001/LHC005 7 day programmable thermostat/timer/ programmer.

Cleaning

To clean, simply wipe with a damp cloth, but do not allow any water to enter the heater.

SAFETY – OVERHEATING

All heaters are fitted with a thermal safety fuse. If the heater severely overheats then the thermal fuse will fail. When that occurs the heater will not operate and must be returned to the manufacturer - via your retailer - for repair and servicing.

After sales service

The electric radiant panel heaters have a one year warranty. Within this period Ultraframe will repair or exchange this product free of charge provided it has been installed and operated correctly according to these instructions and has not been subjected to misuse. Your rights under this guarantee are additional to statutory rights.

For after sales service contact your retailer. It would assist your retailer when processing your call if you can have available the serial number and some details of the fault. Please do not return a product you consider faulty without first obtaining returns approval.

**PLEASE PASS THIS INSTALLATION GUIDE TO THE
HOMEOWNER/USER FOR FUTURE REFERENCE.**

Ultraframe
Transforming light and space

www.ultraframetrade.co.uk

Job No.: 3399 1/18 V3 AVJ500 LHP020

It is Ultraframe's policy to continually seek to improve its products, processes and services, and we reserve the right to change specifications without prior notice. Ultraframe is a trading name of Ultraframe (UK) Limited.